

PALMGREN[®]

UTILITY STAND



Read carefully and follow all safety rules and operating instructions before first use of this product.

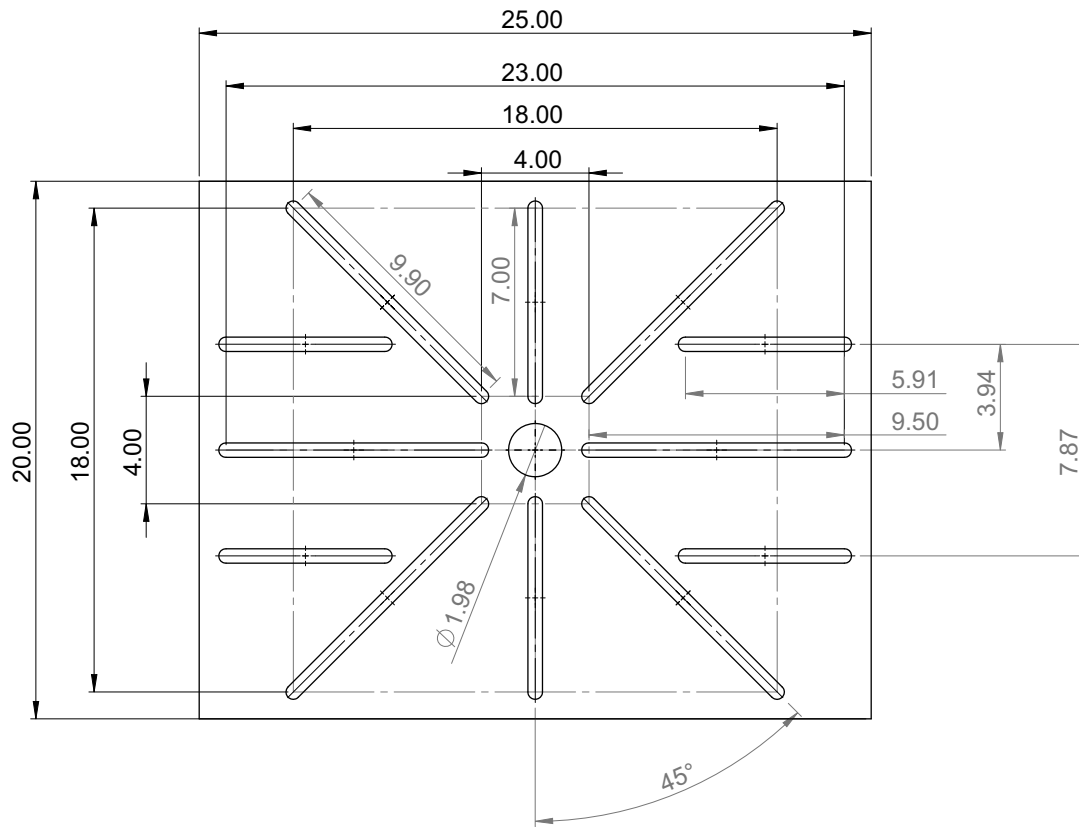
UNPACKING

Unpack all items from the crate, removing the plastic covers from each piece. Identify the two bags of hardware and set off to the side. Also inspect and check that no items are damaged or missing. If any items are damaged or missing, file a claim with the carrier immediately.

SPECIFICATIONS

Model number	9670099
Description	Utility stand
Height	28" (up to 31")
Table dimensions	25" x 20"
All table slot widths	0.54"
Shelf height	13" (up to 17")
Base footprint	25" x 23.5"
Weight	53 lbs

TABLE TOP DIMENSIONS



ASSEMBLY

1. First assemble the legs by screwing the foot pads all the way into the legs. As shown in figure 1. Do this step for all four legs.



Figure 1 – Leg and footpad assembly

ASSEMBLY (CONTINUED)

- Place the top of the table, face down, and line up two of the three holes on the legs with the matching holes in the table as shown in figure 2. Use the hardware from the largest bag. 1 screw, 1 flat washer, 1 spring washer and a nut.



Figures 2 – Table and leg assembly

- Next using the next set of hardware (1 screw, 1 flat washer, 1 spring washer and a nut), fully fix the leg to the table. Make sure it is solid and not loose. Do steps 2-3 for all four legs.

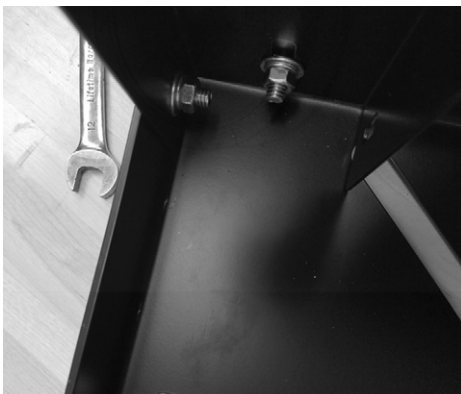


Figure 3 – Leg, fully fixed

- Between two of the legs, fit one of the two support brackets between a pair of legs, as shown in figure 4. Again, use two hardware sets for each end.



Figures 4 – Assembling leg support bracket

- Attach both leg support brackets as shown in figure 4, leaving the fasteners slightly loose for adjustment. And flip the table to rest on its feet.
- Next, attached and loosely screw the two cross support brackets on top of and between the two leg support brackets. Make sure the lip faces upward and outward, as shown in figures 5.

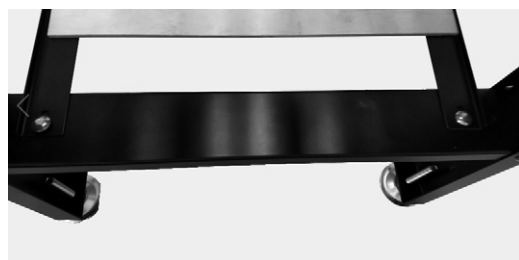


Figure 5 – Cross support bracket

- Fully tighten the fasteners on both the cross support and leg support brackets.
- Place the shelf plate onto the cross bars.

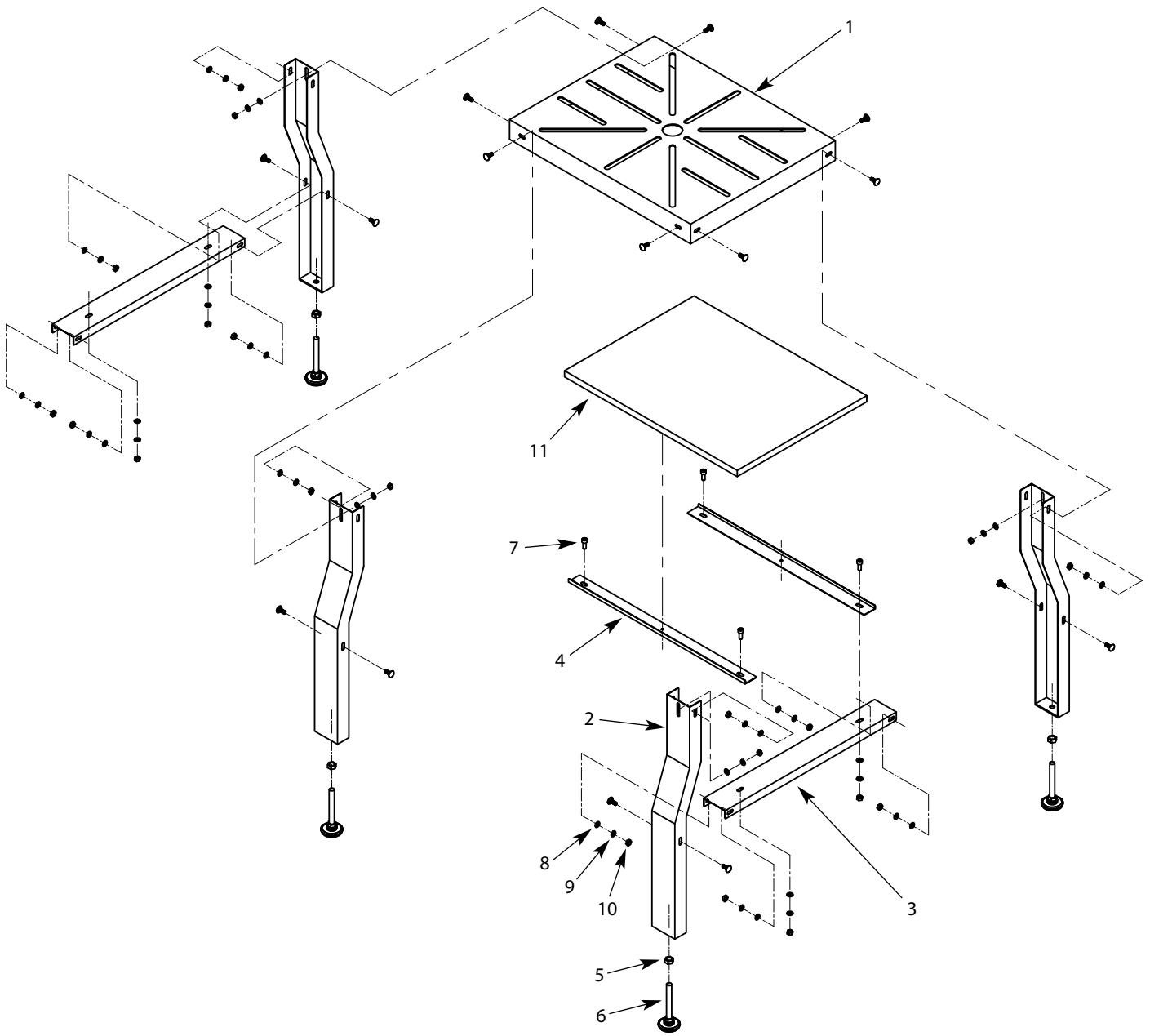


Figure 6 – Replacement Parts Illustration for Utility Stand

REPLACEMENT PARTS LIST FOR UTILITY STAND

Ref. No.	Description	Part Number	Qty.
1	Table Top	964956001	1
2	Leg	964956101	4
3	Cross Brace, L.R.	964956201	2
4	Cross Brace, F.B.	964956301	2
5	Hex Nut, 1/2"	*	4
6	Foot Screw	964956401	4
7	Carriage Bolt	964956501	20
8	Lock Washer	*	20
9	Washer	*	20
10	Hex Nut, 5/16"	*	20
11	Shelf Plate	964956601	1

(*) Standard hardware item, available locally.

PALMGREN WARRANTY

C.H. Hanson / Palmgren warrants their products to be free of defects in material or workmanship. This warranty does not cover defects due directly or indirectly to misuse, abuse, normal wear and tear, failure to properly maintain the product, heated, ground or otherwise altered, or used for a purpose other than that for which it was intended.

The warranty does not cover expendable and/or wear part (i.e. v-belts, screws, abrasives, jaws), damage to tools arising from alteration, abuse or use other than their intended purpose, packing and freight. The duration of this warranty is expressly limited to the terms noted below beginning from the date of delivery to the original user.

The Palmgren branded items carry the following warranties on parts:

All arbor presses, vises, clamps, positioning tables, tombstones, jack screws and vise accessories - LIFETIME.

All bench grinders, drill presses, tapping machines, band saws, lathes, milling machines, abrasive finishing machines and work stands - 3 YEARS.

The obligation of C.H. Hanson / Palmgren is limited solely to the repair or replacement, at our option, at its factory or authorized repair agent of any part that should prove inoperable. Purchaser must lubricate and maintain the product under normal operating conditions at all times. Prior to operation become familiar with product and the included materials, i.e. warnings, cautions and manuals.

Failure to follow these instructions will void the warranty.

This warranty is the purchaser's exclusive remedy against C.H. Hanson for any inoperable parts in its product. Under no circumstances is C.H. Hanson liable for any direct, indirect, incidental, special or consequential damages including loss of profits in any way related to the use or inability to use our products. This warranty gives you specific legal rights which may vary from state to state.

PALMGREN®

Palmgren - a C.H. Hanson Company
2000 N. Aurora Rd., Naperville, IL 60563 U.S.A.
or call 1-800-827-3398