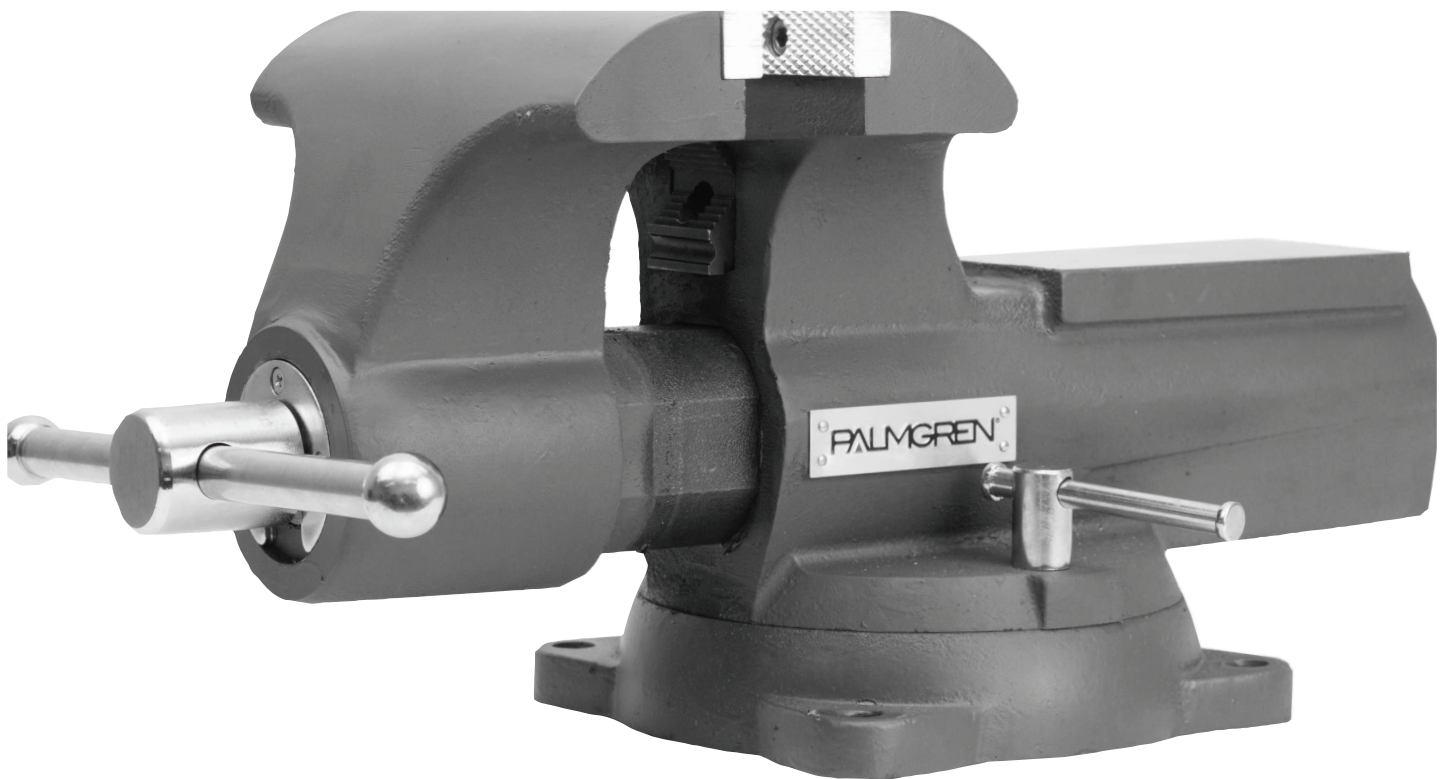


# PALMGREN®

**5.5", 6.5", 8.5"**  
**Bench Vise**



®

**PALMGREN**

**PLEASE READ AND SAVE  
THESE INSTRUCTIONS.  
READ CAREFULLY  
BEFORE ATTEMPTING  
TO ASSEMBLE, INSTALL,  
OPERATE OR MAINTAIN THE  
PRODUCT DESCRIBED.**

**PROTECT YOURSELF AND  
OTHERS BY OBSERVING ALL  
SAFETY INFORMATION. FAILURE  
TO COMPLY WITH INSTRUCTIONS  
COULD RESULT IN PERSONAL  
INJURY AND/OR PROPERTY  
DAMAGE! RETAIN INSTRUCTIONS  
FOR FUTURE REFERENCE.**

**PLEASE REFER TO BACK COVER  
FOR INFORMATION REGARDING  
PALMGREN'S WARRANTY  
AND OTHER IMPORTANT  
INFORMATION.**

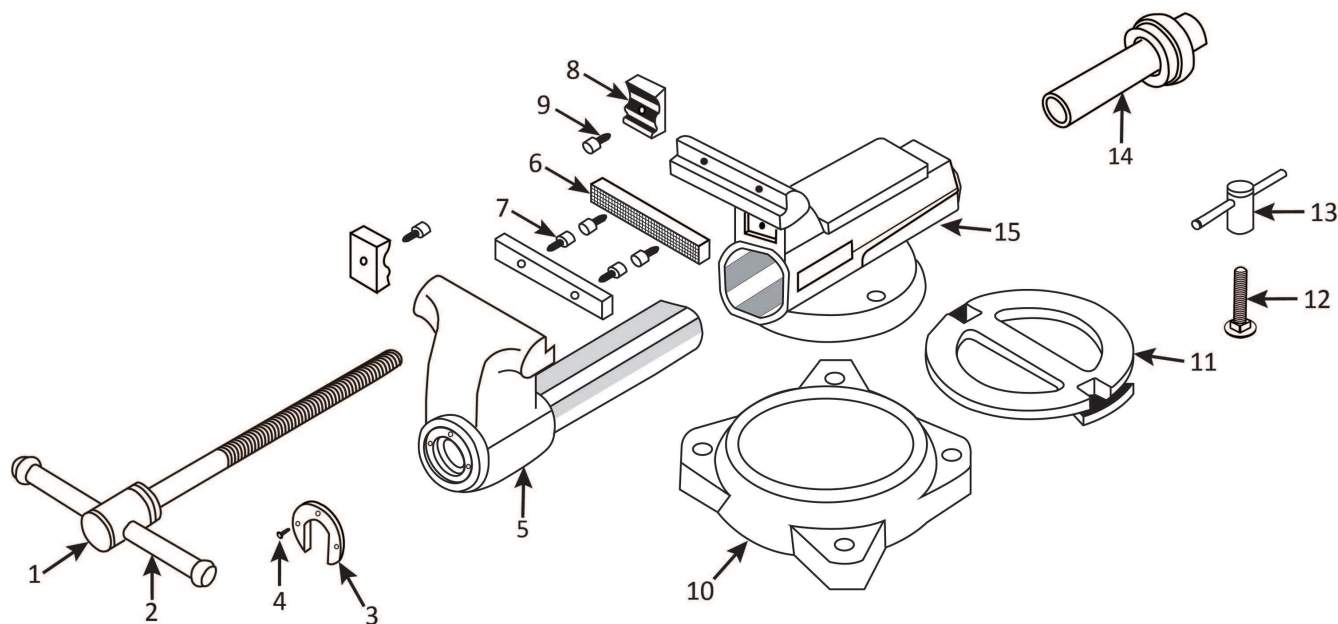
**Model #:** \_\_\_\_\_

**Serial #:** \_\_\_\_\_

**Purch. Date:** \_\_\_\_\_

© 2020 Palmgren Electric Manufacturing Co.  
All Rights Reserved

<b>SPECIFICATIONS</b>			
<b>Parameter</b>	<b>9629755</b>	<b>9629756</b>	<b>9629758</b>
Total length	14.75"	18"	21"
Total width	7.50"	10"	12"
Total height	8.25"	10"	10"
Jaw opening	6.50"	8.50"	9"
Clamping force	62500 psi	65500 psi	74000 psi
Base mounting dimensions	6" x 6"; 0.63" dia hole	7" x 7"; .5"	7" x 7"; .5"
Anvil table size	4.33" x 3.46"	3.5" x 5.75"	3.625" x 7"
Weight	64 lbs	73 lbs	102 lbs



**Figure 1. Vise Exploded Parts View**

<b>Ref No.</b>	<b>Description</b>	<b>Part Number (9629755)</b>	<b>Part number (9629756)</b>	<b>Part number (9629758)</b>	<b>Qty</b>
1	Lead screw	964849001	9646442.01	9646452.01	1
2	Handle	964849101	9646443.01	9646453.01	1
3	Leadscrew Baffle 2-11/16" OD	964849201	9646444.01	9646454.01	1
4	Leadscrew set screw 5mm x 12mm	*	*	*	3
5	Front Jaw	964849301	9646445.01	9646455.01	1
6	Jaw plate HRC35~HRC40	964849401	9646446.01	9646456.01	2
7	Jaw plate set screw 8mm x 16mm	*	*	*	4
8	Pipe Jaw HRC25~HRC30	964849501	9646447.01	9646457.01	2
9	Pipe Jaw set screw 8mm x 16mm	*	*	*	2
10	Swivel Base	964849601	9646448.01	9646458.01	1
11	Swivel Base Fixing plate	964849701	9646449.01	9646459.01	1
12	Carriage Bolt 1/2" x 2-1/2"	*	*	*	2
13	Carriage Bolt Nut	*	*	*	2
14	Casting nut	964849801	9646450.01	9646460.01	1
15	Back jaw	964849901	9646451.01	9646461.01	1

\* Hardware items available at your local hardware store

## **PALMGREN WARRANTY**

C.H. Hanson / Palmgren warrants their products to be free of defects in material or workmanship. This warranty does not cover defects due directly or indirectly to misuse, abuse, normal wear and tear, failure to properly maintain the product, heated, ground or otherwise altered, or used for a purpose other than that for which is was intended.

The warranty does not cover expendable and/or wear part (i.e. v-belts, screws, abrasives, jaws), damage to tools arising from alteration, abuse or use other than their intended purpose, packing and freight. The duration of this warranty is expressly limited to the terms noted below beginning from the date of delivery to the original user.

**The Palmgren branded items carry the following warranties on parts:**

**All vises, clamps, positioning tables, tombstones, jack screws and vise accessories - LIFETIME.**

**All bench grinders, drill presses, tapping machines, band saws, lathes, milling machines, arbor presses, abrasive finishing machines and work stands - 3 YEARS.**

The obligation of C.H. Hanson / Palmgren is limited solely to the repair or replacement, at our option, at its factory or authorized repair agent of any part that should prove inoperable. Purchaser must lubricate and maintain the product under normal operating conditions at all times. Prior to operation become familiar with product and the included materials, i.e. warnings, cautions and manuals.

**Failure to follow these instructions will void the warranty.**

This warranty is the purchaser's exclusive remedy against C.H. Hanson for any inoperable parts in its product. Under no circumstances is C.H. Hanson liable for any direct, indirect, incidental, special or consequential damages including loss of profits in any way elated to the use or inability to use our products. This warranty gives you specific legal rights which may vary from state to state.



**Palmgren - a C.H. Hanson Company**  
**2000 N. Aurora Rd., Naperville, IL 60563 U.S.A.**  
or call **1-800-827-3398**